

# FLYBYE BIRD SPIKES

D&S Specialty Products Inc.  
13609 NE 126th PL #120  
Kirkland, WA 98034  
Phone: 425-820-8496 1-800-820-1980  
Fax: 425-821-5672  
E-mail: nobirds@flybye.com  
Web: www.flybye.com

CSI Division: 10290/10296, 118113  
FlyBye Bird Spikes

## Manufacturer

FlyBye Bird Control Products patented Bird Spikes are manufactured from quality stainless steel material to resist ultraviolet light and chemicals.

## Presentation

Bird Spikes are a low cost stainless steel deterrent product. It deters birds from landing or roosting on light to heavy pressure sites such as ledges, I-beams, parapets, overhangs, pipes, signs, edges of roof, chimneys, etc.

Long stainless steel spikes extend upwards and outwards in a way that make it difficult for birds to land. Because the blunt wires are spaced 1.5" apart, they do not gather debris and nesting materials. With a stainless steel base, installation is extremely easy. Glue the base to the ledge with a construction silicone; no special clips or attachments are required. The base has pre-punched holes so you can use nails or screws if desired.

The flexible base allows installation on most architectural forms. Lights, down spouts, sprinklers, security hardware and corners can also be protected with bird spikes. The stainless steel base is easily cut to length with metal snips.

Wide and narrow spikes may be used in unison to cover a variety of ledge widths

## Applications

Bird spikes are used to solve a variety of bird problems. Bird spikes may be used in any combination of widths to protect ledges. The tips of the spikes can be spaced up to 2.5" from each other or the back wall of ledges. Bird spikes are able to withstand heavy bird pressure situations. Ledges greater than 18" width can be protected by other deterrent products. Selection of deterrent product is governed by bird pressure.

## Installation

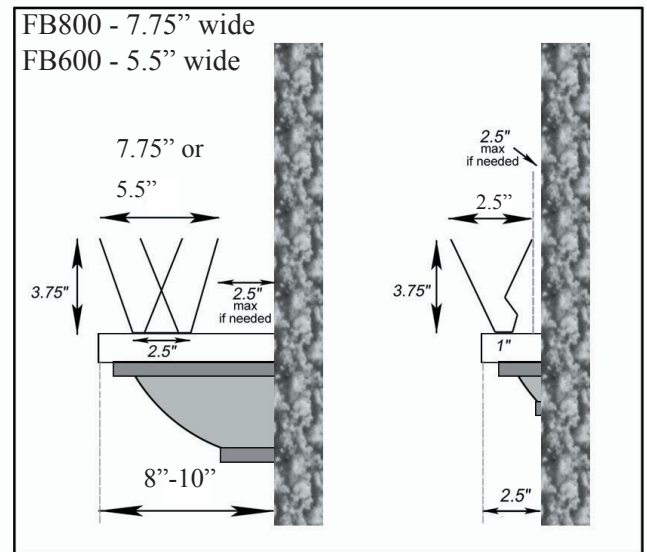
FlyBye Bird Spikes are provided in finished form and require no assembly. Adhere the base directly to the ledge using construction grade silicone, or use nails or screws directly into ledge.

## Material Finishes

FlyBye Bird Spikes are made exclusively of series 300 stainless steel.

## Technical Support

FlyBye's certified representatives and distributors are available to assist in all aspects of evaluation, product recommendation and choice of certified installers. Call 1-800-820-1980 or fax your drawings and other pertinent information to 425-821-5672. Free literature, catalog, work sheets and installation information is available upon request.



## General Description

### 1.1 Description

FlyBye Bird Spikes are designed to be placed on exposed and protected ledges where pest birds loaf or roost to prevent damage incurred by droppings or nest materials.

### 1.2 Quality Assurance

1.2.1 Technical literature is available from the manufacturer

or distributor. Telephone consultation and plan evaluation with photographs may be helpful.

1.2.2 Utilization of FlyBye Certified Labor is recommended

for technically difficult situations.

1.2.3 FlyBye always recommends using certified installation companies in your area that have proper insurance and license coverage.

### **1.3 Submittals**

Submit manufacturer's samples, catalog, brochures, sketches and other descriptive materials.

### **1.4 Product Handling**

1.4.1 Protect FlyBye Spikes from damage before, during, and after installation.

1.4.2 Damaged FlyBye Spikes should be replaced immediately.

## **Products**

### **2.1 Manufacturer**

2.1.1 D&S Specialty Products

13609 NE 126th PL #120

Kirkland, WA 98034

Phone: 800-820-1980 / 425-820-8496

Fax: 425-821-5672

### **2.2 Product Designation**

2.2.1 FlyBye Wide Spike FB600

2.2.2 FlyBye Narrow Spike FB250

2.2.3 FlyBye Extra Wide Spike FB800

## **Material**

### **FlyBye Wide Spike FB600**

Wire Material: 300 Series Stainless Spring Steel

.050 Diameter

Width: 5.5"

Height: 3.75"

Base Material: 300 Series Stainless Steel

24Ga. Thickness

Width: .5" x 2.75" Zigzagged Pattern

Length: 12"

### **FlyBye Narrow Spike FB250**

Wire Material: 300 Series Stainless Spring Steel

.050 Diameter

Width: 2.5"

Height: 3.75"

Base Material: 300 Series Stainless Steel

24Ga Thickness

Width: 1"

Length: 12"

### **FlyBye Wide Spike FB800**

Wire Material: 300 Series Stainless Spring Steel

.050 Diameter

Width: 7.5"

Height: 3.25"

Base Material: 300 Series Stainless Steel

24Ga. Thickness

Width: .5" x 2.75" Zigzagged Pattern

Length: 12"

### **2.3 Mounting Methods**

2.3.1 Use construction grade silicone adhesive on all surfaces where holes are undesirable or detrimental.

2.3.2 Stainless steel sheet metal screws may be used in wood and light gauge metal.

2.3.3 In heavy gauge metal FlyBye recommends using a powder actuated tool. Stainless steel self drilling screws may be used as an option.

## **Execution**

### **3.1 Survey**

3.1.1 Survey installation area. Notify architect/engineer of detrimental work conditions

3.1.2 Proceed with work only after conditions have been corrected.

### **3.2 Surface Preparation**

3.2.1 Obstructions must be removed. Ledges and mounting surface must be dry and free of loose paint,

rust, bird droppings and any foreign debris. Bird droppings shall be cleaned, removed and disposed of

in a safe manner in accordance with local regulations.

3.2.2 Remove or repair articles that may damage FlyBye Spikes after installation (tree limbs, loose items on building, etc.)

### **3.3 Installation**

3.3.1 Bird Spikes should be installed straight or follow

the contours of the architecture perfectly. Uneven spacing results in an unattractive installation. Spaces left between ends of spikes present a landing opportunity

for birds.

3.3.2 Bird Spikes should cover the entire ledge width

and extend to each corner. Bird spikes are a landing deterrent, not a barrier. It is acceptable to leave 2.5" between rows, measured from wire tips.

3.3.3 On surfaces where holes are undesirable apply a bead of construction silicone at a rate of one(1) 13oz. tube per 15 feet of spikes

3.3.4 Tips of spikes may be up to 2.5" from back edge of wall.

### **3.4 Inspection**

3.4.1 Visually inspect Bird Spikes for poor adhesion to mounting surfaces, and related issues due to poor site preparation.

3.4.2 Repair defects immediately

## **Maintenance**

If installed per specifications, FlyBye Spikes are virtually maintenance free.